

HOFMANN®



monty 3550 **SMARTSPEED**

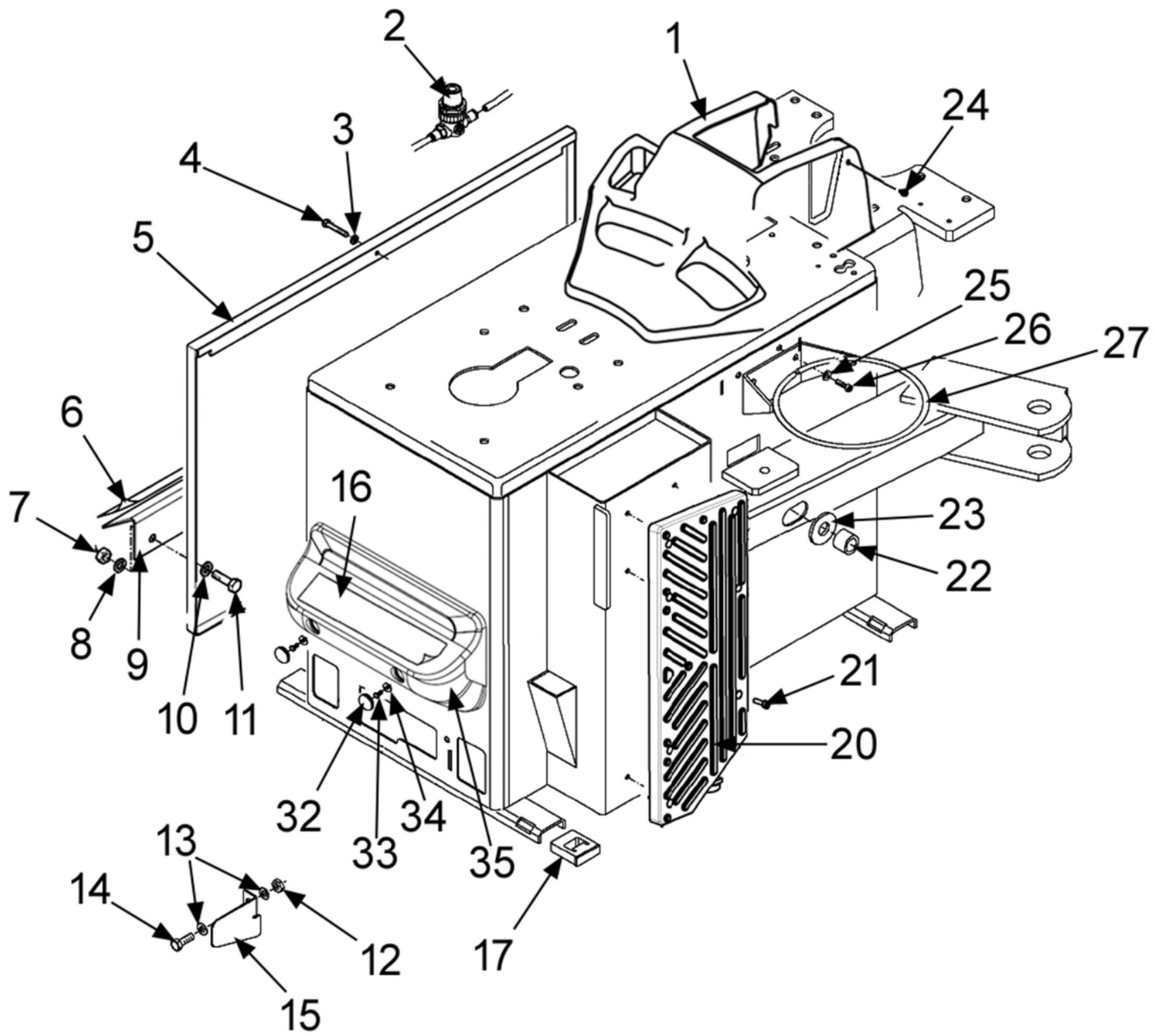
Spare Parts List



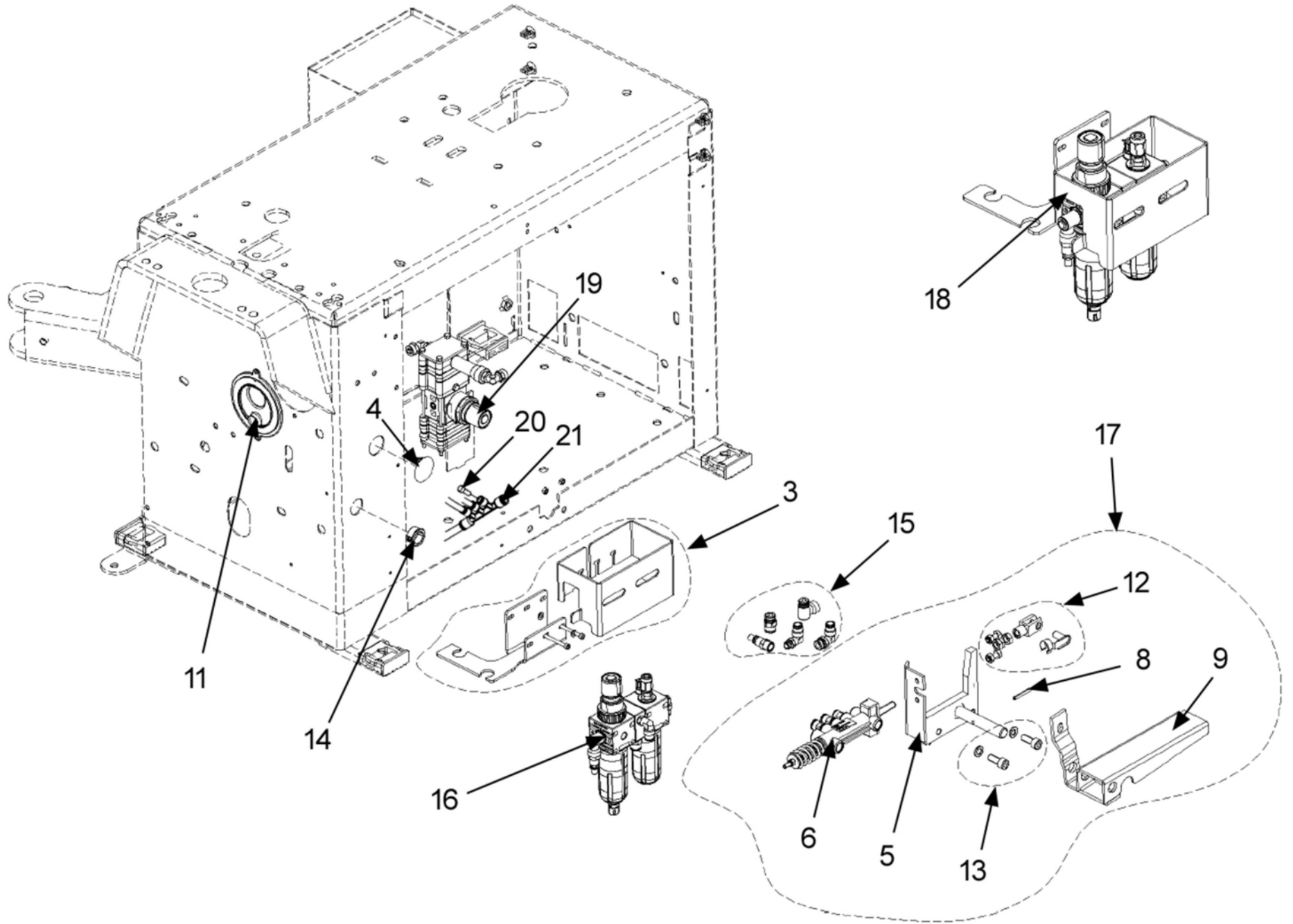
BOM EEW786AUB Monty 3550 smartSpeed CSA

Part Number	Quantity	Description
EAA0270J69A	1	Assy Tc Monty 3550 Smartspeed
ZEEWH786AU9	1	Lit Pack HNA 3550 CSA
EAC0078G13A	5	Back Plstc Rim Protector
EAC0113G61A	5	Rim Protector Plastic
EAM0043G53A	5	Pin M5 Hexagonal Skt
EAC0113G47A	4	Plastic Protection
EAM0043G71A	1	Qr Tool Plastic Mt/Dmt
5-14126A	1	Brush Tire Lube Applicator
24336	1	Support Tool Plastic
EAA0329G27A	1	Mtg Hd Adptr Qk Exc
EAA0304G52A	1	3Pc Plastic Rim Protector
EAA0247G70A	1	Clamp-Bd,Mounting "Mx"
EAA0328G91A	1	Tool Full Disk
EAA0377G23A	1	Magic Bead Pusher
EAA0304G15A	1	Plstic Prot Bd Brkr Blad
EAC0097G47A	1	Wave Tire Mounting Lever
EAC0115G06A	1	Wave Lever Sleeve
01267267000	1	Wire Dauber
00066006000	1	Bottle-Lube
EAA0304G80A	1	Plus 4 Qck Exch Dvc
EAA0331G91A	1	Jaws Sliding Set 4
8-03229A	1	Lubricant-Tire Mounting 75N
EAA0329G65A	1	Kit For Bottle Mh Pro

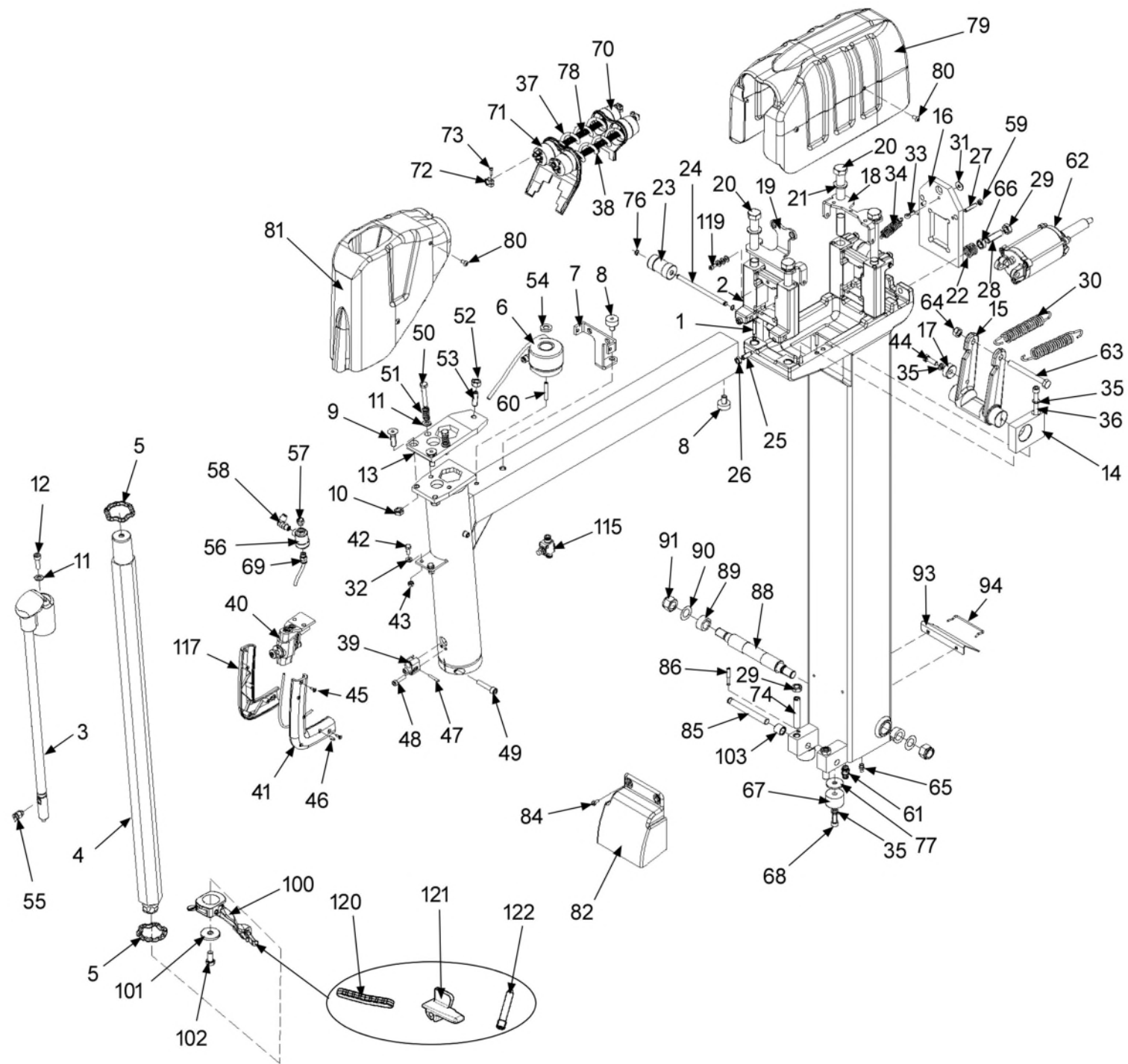
Part Number	Quantity	Description
EAL0408G12A	1	Label Patents
EAL0413G31A	1	Label Ground
EAL0443G66A	1	Decal-Entrapment Warning
24212	1	Placard Danger Tc Eng Spanish
EAL0408G24A	1	Label Oil
EAL0383G34A	1	Label Danger
EAL0383G01A	1	Rotation Direction Label
EAL0413G34A	1	Label Inflator
25574	1	Sticker-Pedals
EAL0343J76B	1	Serial Label Document
EAL0462G76A	1	Label Hofmann 3550 Smartspeed
EAL0408G25A	1	Label Pressure Min Max
EAL0413G17A	2	Label Danger
EAL0352J18A	1	Warning Label
EAL0383G36A	1	Label
EAL0383G31A	1	Label Danger
EAL0413G36A	1	Label Warning
EAL0408G78A	1	Lable Protective Device
16510	1	Label Danger
16511	1	Label-Danger
19159	1	Label Drain Water



Ref	Qty	Part Number	Description	
1	1	EAM0192G14A	Tower Cover CSA Base	
2	1	EAA0350G84A	Air Pressure Reducer Assy, W.Fitting	
3	1	1-1548	Washer-Lock D.6	
4	1	1-30901A2	Screw 6 x 20 8G	
5	1	EAS2029J62A	Side Panel-Tire Changers, Blck	
6	1	EAL0413G34A	Sticker- Inflator	
7	1	1-15933A	Nut-Hex M8 - 1.25mm	1-11733
8	1	1-17741	Washer D.8	
9	1	EAS2115G83A	Protector,Pedal	
10	1	1-17841	Washer - D. 8 x 24	
11	1	1-32501A	Screw 8 x 16 8G	
12	1	1-15933A	Nut-Hex M8 - 1.25mm	1-11733
13	1	1-17741	Washer D.8	
14	1	1-32601	Screw 8 x 20 8.8	
15	1	EAS2100G95A	Pedal-Reverser Protection	
16	1	25574	Label, Pedal	EAL0423G73A
17	1	EAC0097G52A	Foot-Square	
20	1	EAC0099G22A	Pad- Support, Beadbreaker	
21	7	1-16409A	Screw 6 x 20 8G	
22	1	EAC0097G51A	Washer - Shock Absorber	
23	1	4422	Arm.Bead Breaker Spacer	
24	4	1-36109A2	Screw M5 x 10	
25	1	1-9841	Washer,Plain D6 Zinc.	
26	1	1-16309	Screw Hex Socket M 6 x 16	
27	1	EAA0349G76A	Ring- Box, Grease	
32	2	EAC0114G12A	Cup For Protection Pedals	EAC0087G62A
33	2	1-24223A	Screw- Selfthread 10 x 16	
34	2	1-19041A	Washer 5 x 16 x 1	
35	1	EAC0114G09A	Protection, Pedals	



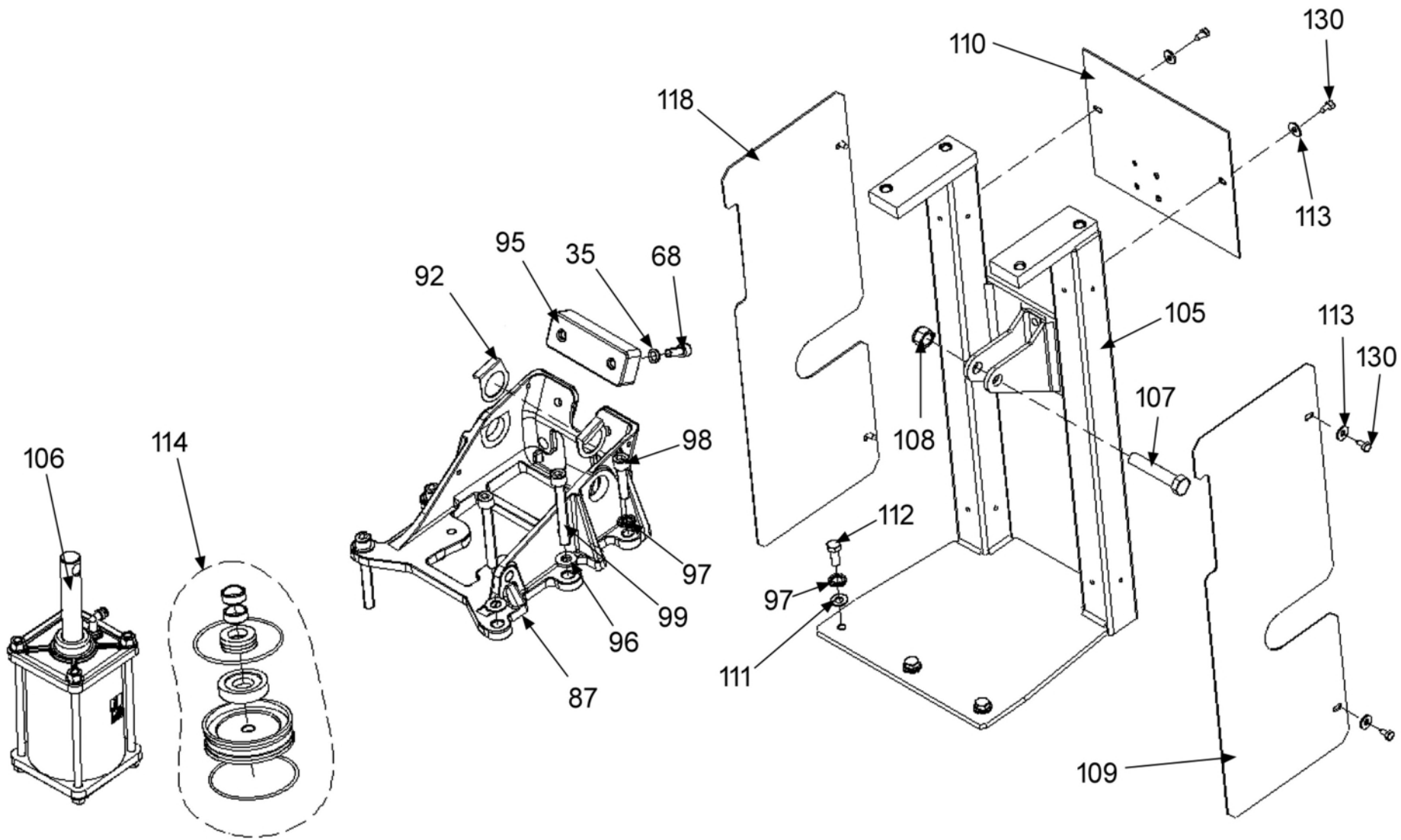
Ref	Qty	Part Number	Description	
3	1	EAK0330G49A	Na Lub. Filter Fixing Kit	
4	1	1-08676A	Cap, Closing	
5	1	EAS2134G52A	Gt Pedal Support	
6	1	ST4029115	Valve, Bead Inflating	EAA0329G75A
8	1	ST7023119	Pin - Straight Slotted 4 x 30	1-6652
9	1	ST4029114	Inflator Pedal Cataphor	EAS2068G87A
11	1	EAC0100G22A	Cable Protection	
12	1	EAK0306G32A	Screws And Bolts For Gt Valve	
13	1	EAK0306G33A	Screws And Bolts For Gt Pedal	
14	1	8-11616A	Snap Bushing	
15	1	EAK0315G99A	Fittings Kit For Filter	
16	1	EAA0439G90A	Filter-Press.Reg	
17	1	EAA0384G14A	Group, Bead Inflating Pedal	
18	1	EAA0489G30A	Lubricator Filter Group	
19	1	EAA0384G22A	Valve, Air Control	
20	1	1-09176A	Cap, Fitting D6	
21	1	1-12379A	Multi-Tee 08-06	



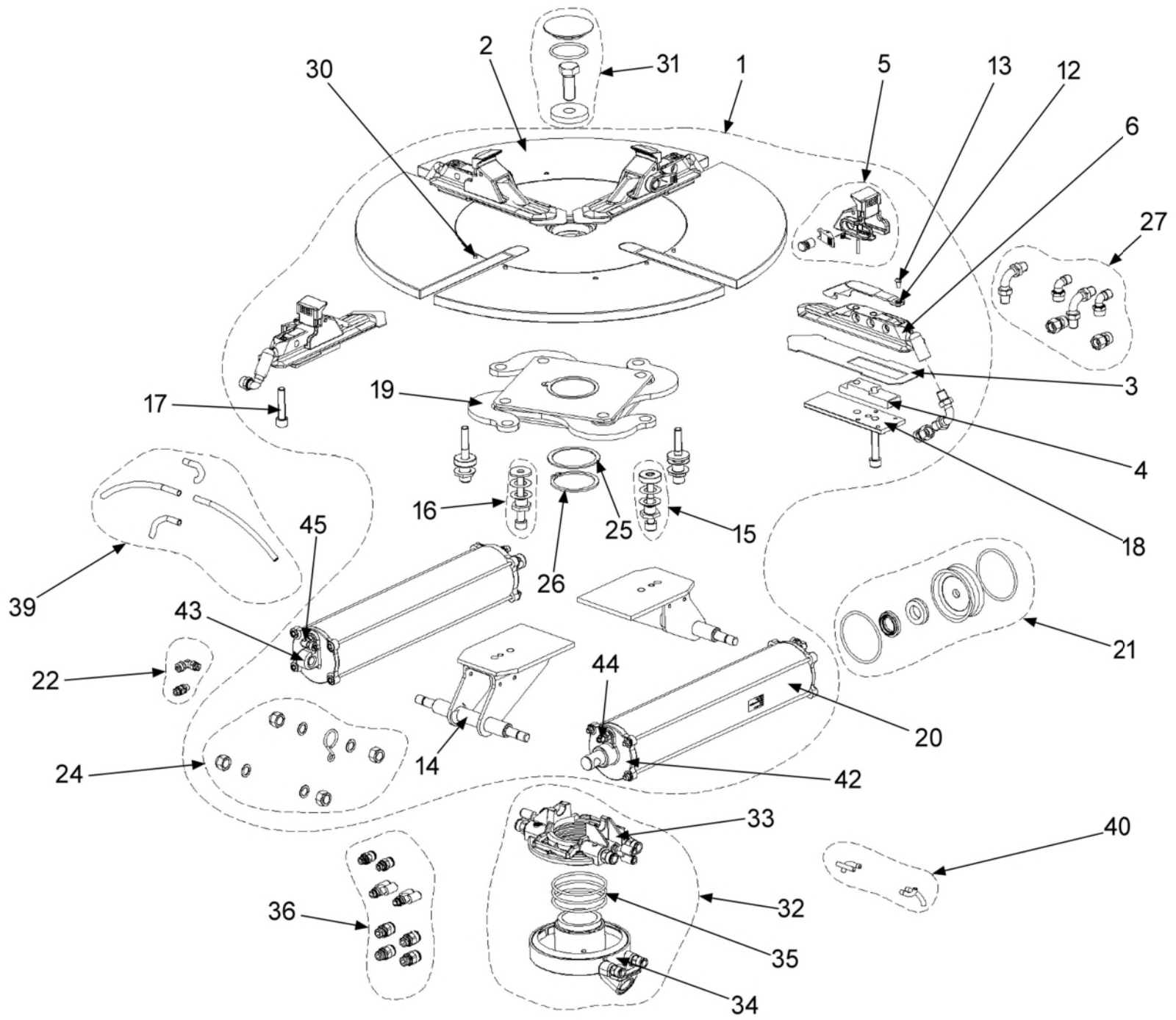
Ref	Qty	Part Number	Description	
1	8	1-23252A	Pin D6 x 30	
2	2	EAM0048G27A	Support For Sliding Rod 70 x 50	
3	1	EAA0344G31A	Rod Elevator	
4	1	EAM0053G47A	Hexagonal Rod	
5	2	EAC0094G02A	Ring, Shock-Absorber	
6	1	ST4007435	Cylinder- Vertical, Locking	EAA0344G32A
7	1	EAS2096G70A	Protections Support	
8	2	ST0005672	Screw-Arm, Retaining	EAC0094G00A
9	2	ST7906319	Screw Tsei 10 x 35 10.9	1-26103A
10	2	1-19633B	Nut- M10	
11	3	1-17741	Washer D.8	
12	1	1-17809A	Screw 8 x 25	
13	1	EAS2096G72A	Vertical Strangle	
14	2	EAM0053G48A	Cam Support Front H Strangle	
15	1	EAM0053G49A	Horizontal Strangle Crank Mechanism	
16	1	EAS2096G74A	H Strangle Plate	
17	1	EAM0053G50A	H Strangle Eccentric Register	
18	1	EAS2096G75A	Hook Spring Plate	
19	1	EAS2096G76A	Spiral Pipes Connection Sheet	
20	4	1-51401A	Hex Screw M16 x 150	
21	4	1-25941A	Plane Washer D16 x 27 x 2.5	
22	2	ST0025227	Spring-Recall, Lever, Locking	EAM0053G51A
23	2	EAM0053G52A	Sliding Rod Roller	
24	2	EAM0053G53A	Sliding Roll 70 x 50 Rod	
25	4	EAM0053G54A	Rod 70 x 50 Sliding Roll Register	
26	4	1-15933A	Nut M8 Din 936	
27	2	1-51910A	Screw Stei 6 x 30 12K	
28	2	1-14810	Screw M12 x 40	
29	4	1-22733A	Nut - M12	
30	2	EAM0053G55A	Cam Return Spring	
31	1	1-20041A	Washer - D.6 x 18	
32	5	1-13241	Washer,Flat, D.6	
33	1	1-23152A	Split Pin D5 x 28	
34	1	EAM0053G58A	Spring - Recall,Pin	

Ref	Qty	Part Number	Description	
36	2	1-30609	Screw, Hex Socket Head M8 x 65	
37	1	EAM0053G60A	Spiral Pipe Polyurethan D6 x 4	
38	1	EAM0053G59A	Spiral Pipe Polyurethan D6 x 4	
39	1	ST0025582	Body,Handle Fixing	EAC0094G14A
40	1	EAA0338G09A	Valve,Lift Control,Yellow Button	
41	1	EAC0094G03A	Handle, Right St.1801	
42	2	ST7104119	Screw Hex Head Machine 6 x 16 8G	1-14701A
43	2	1-9933	Nut, Prevailing Torque M6	
44	1	1-32701A1	Screw M8 x 25	7105205
45	4	ST7614101	Screw, Self-Tapping (M3.5 x 13mm)	1-21223A
46	4	ST7401149	Screw,Tcb Philips Head M3 x 10	1-11204A2
47	1	EAM0053G61A	Roller, Modified D.4 x 25.8	
48	2	1-16509A1	Screw Tcei 6 x 25 8G	
49	1	1-30109A	Screw	
50	2	1-39901A	Screw M 8 x 50	
51	2	EAM0053G62A	Spring - Recall, Adjustment	
52	1	1-15433	Nut M10	
53	1	ST7706399	Screw 10 x 30 12K	1-13310
54	1	ST0011634	Washer- Reinforcement	EAM0053G63A
55	1	ST0018030	Fitting 1/8-4	1-15079A
56	1	ST0020616	Vanne,Exhaust-Quick 1/8	1-26981A
57	1	ST0001385	Muffler 1/8	EAM0032G91A
58	1	1-15379A	Fitting-90 Deg,Fixed L 4X6 1/8	
59	2	1-17833A	Hex.Nut M6 6S	
60	1	ST7023039	Pin - 6 x 40	1-23352A
61	1	1-15179A	Straight Fitting Rapid Conn 6 x 4 M12	
62	1	EAA0344G33A	Cylinder D63	
63	1	1-48601A	Screw 10 x 100	
64	1	1-10133	Nut -S.Lock,Low - M10	
65	1	ST0003280	Greaser-Nipple M8 x 1.25	1-18084A
66	2	ST0025219	Bushing- Centering, Screw	EAM0053G70A
67	2	EAC0094G07A	Pad, Shock-Absorber	
69	1	ST0001923	Fitting-Straight 4 x 6 1/8	1-11579A

Ref	Qty	Part Number	Description	
70	1	EAC0087G88A	Central Spiral Pipes Protection	
71	1	EAC0087G85A	Spiral Pipes Protection	
72	4	EAC0087G97A	Clamp	
73	4	1-24823A	Scr, Phil Pnh 3.5 x 16 mm	
74	2	1-52010A	Screw Stei M12 x 70 12.9	
76	4	ST7022249	Ring- Snap, Shaft D.8	1-3477
77	2	EAM0075G51A	Washer 08.5 x 34	
78	2	1-07667A	Tension Spring	
79	1	EAM0086G10A	Central Upper Protect. Tilting Tower	EAM0086G11A
80	8	1-54609A	Screw M6 x 10mm	
81	1	EAC0087G84A	Protection-Upper, Tower	
82	1	EAC0103G38A	Front Protection Tower	EAC0094G25A
84	2	1-25423A	Screw #10-16 x 1/2"	1-24423A
85	1	EAM0127G82A	Core Piston D12mm	
86	1	EAM0127G83A	Hex Screw M6 x 35	
88	1	EAM0051G65A	Tower-Axle Pin	
89	2	EAM0075G52A	Bushing,Conic - Tower	
90	2	EAM0051G74A	Washer-Shim 30 x 17 x 0.3	
91	2	1-02637A	Nut - S.Lock,High- M16 5S	
93	1	EAS2130G10A	Protection, Rear- Tower	
94	1	EAM0006G49A	Retainer-Flap	
100	1	EAA0329G95A	Mounting/Demounting Tool	
101	1	EAM0032G02A	Washer- Tool Clamping	
102	1	1-34301A	Screw Hex 10 x 20 8G	
103	1	EAM0125G79A	Bushing, Centering- Spring	
115	1	EAA0358G66A	Speed Controller Flat	1-26481A+++
117	1	EAC0094G04A	Handle, Left	
119	1	1-14909	Screw	
120	5	EAC0078G13A	Back Plastic Rim Protection	
121	5	EAC0113G61A	Plastic Rim Protection	
122	5	EAM0043G53A	Pin M5 Hexagonal Socket	

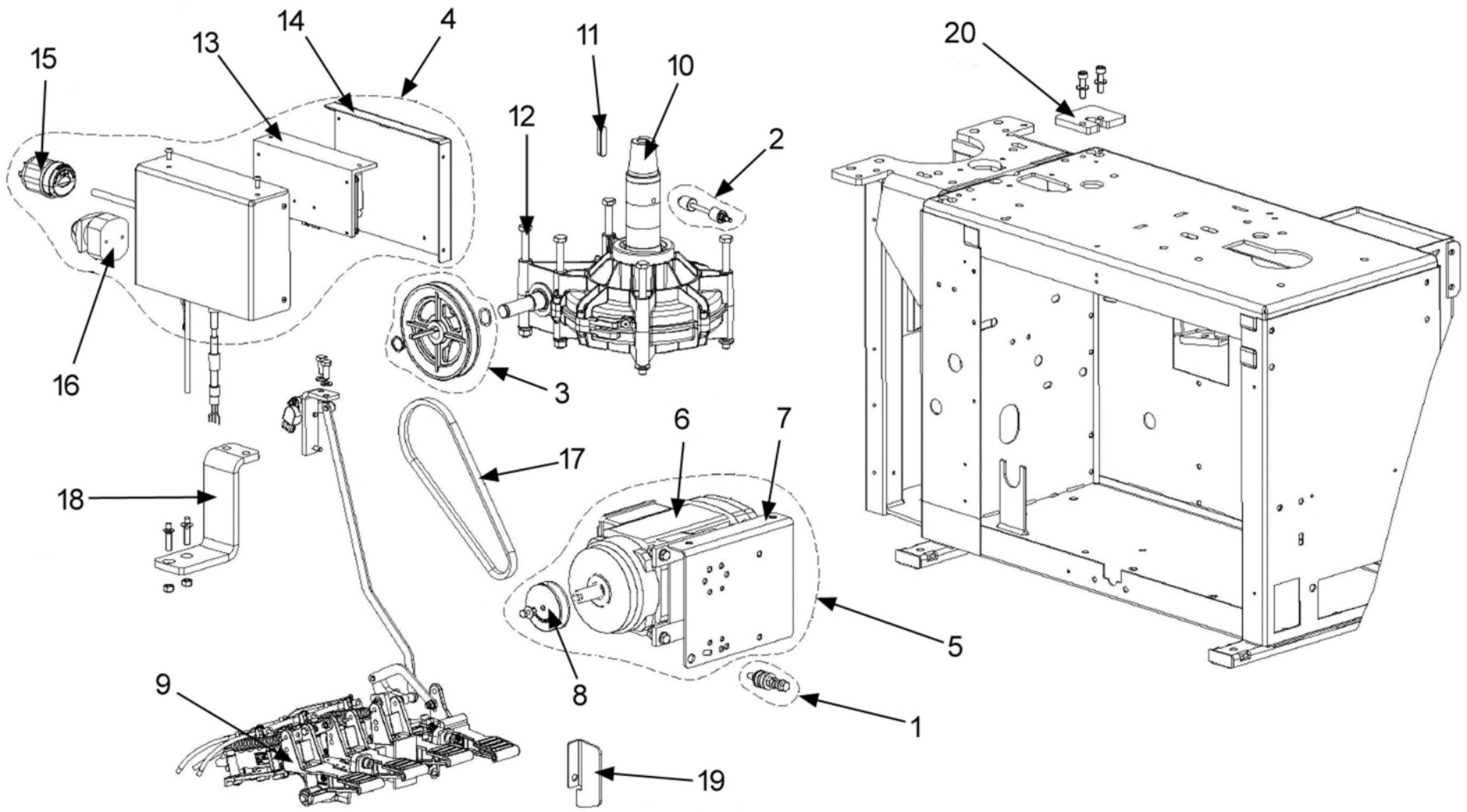


Ref	Qty	Part Number	Description	
35	7	1-25841A	Plane Washer D 8.4 x 14 x 1.6	
68	4	1-17709	Screw Tcei 8 x 20 8G	
87	1	EAM0080G77A	Tower Support Machined	
92	2	EAM0086G15A	C67 Washer Thk 0.8	
95	1	EAM0080G29A	Clamp,Overturning	
96	4	1-10141A1	Washer P.D.10	
97	5	ST7021159	Ext.Shakeproof D.10	1-3148
98	2	1-19409	Screw Tcei 10 x 40	
99	4	1-57309A	Screw Tcei 10 x 80	
105	1	EAS2111G07A	Back Support, Tilt Post	EAS2068G99A
106	1	EAA0356G14A	Cylinder Tilting Tower	
107	1	1-20801	Screw Te 12 x 65 8G	
108	1	1-19933A	Nut - Lock - M12 Din985	
109	1	EAS2087G83A	Timing Case, Side	EAS2087G76A
110	1	EAA0376G51A	Timing Case, Back	
111	3	1-10041	Washer D.8	
112	3	1-32601A	Screw Te 8 x 20 8G	
113	6	1-19041A	Washer 5 x 16 x 1	
114	1	EAA0356G43A	Seals,Kit For Tilting-Tower Cylinder D.9	
118	1	EAS2087G83A	Ral 9005 Lateral Cover	EAA0440G21A
130	6	1-24423A	Screw	

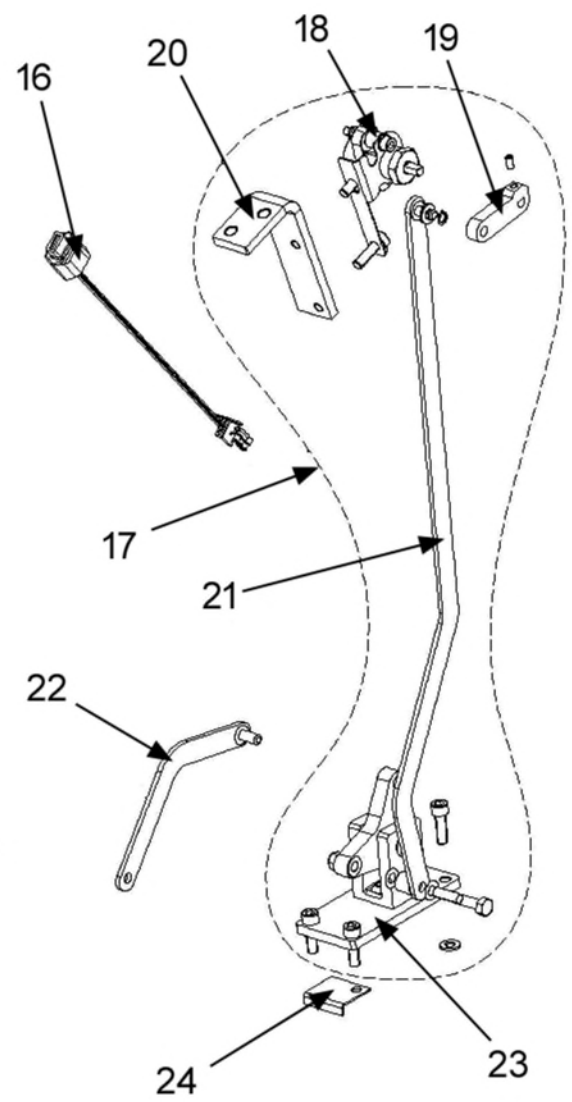
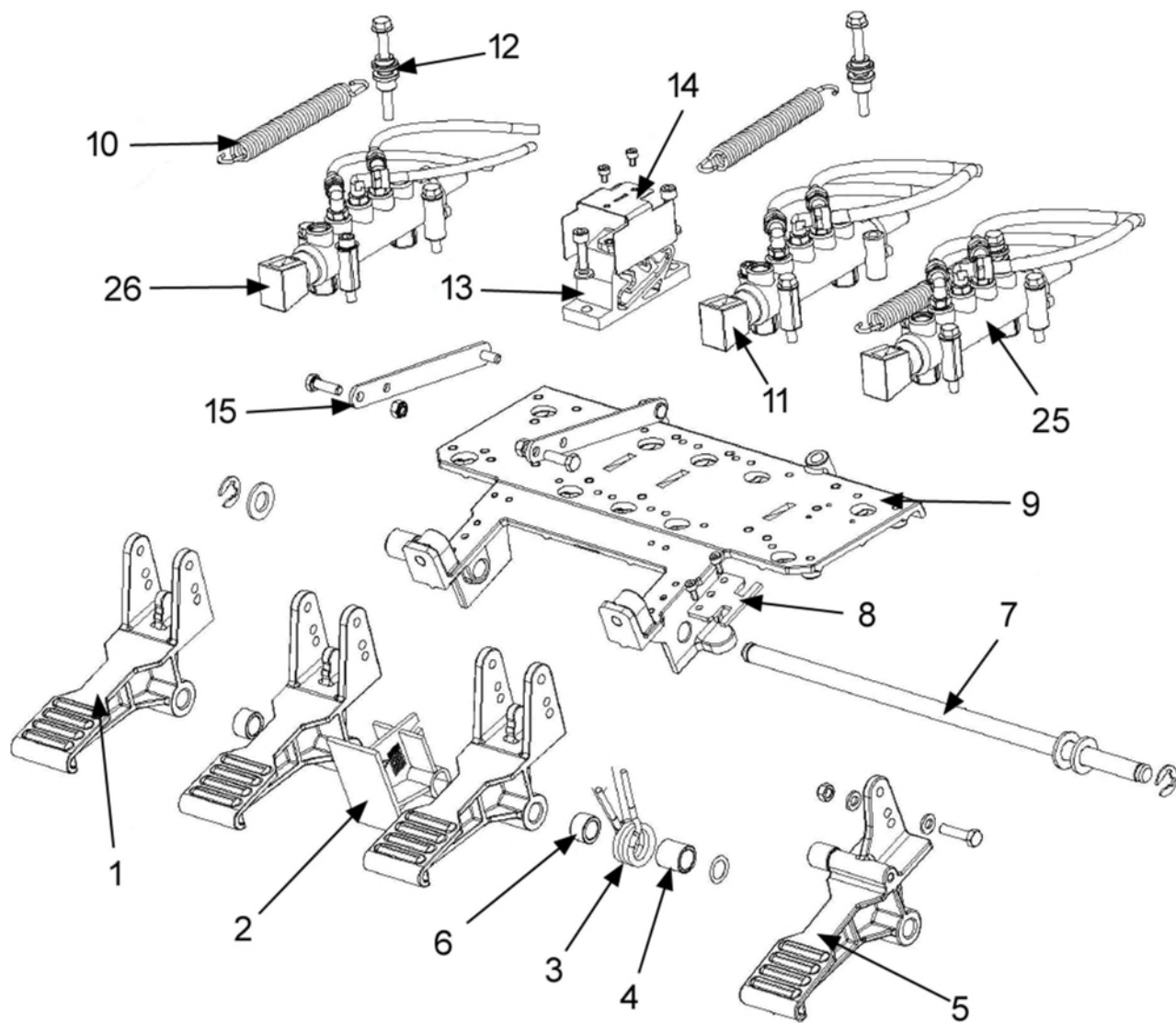


Ref	Qty	Part Number	Description	
1	1	EAA0458G98A	12-26" Turn Table Centre Type Gt	EAA0409G88A
2	1	EAS2153G40A	Turntable	
3	1	EAM0043G15A	Guide, 26" Sliding Jaws	
4	1	EAM0043G44A	Spacer Clamp 26"	
5	1	EAA0408G23A	Assembled Sliding Jaw C/Type V2	
6	1	ST0029472	Clamp, Sliding W/Centre 26"	EAM0086G02A+++
12	1	EAC0099G90A	Protection Jaws New	
13	1	1-36109A2	Screw Tbei 5 x 10 8G	
14	1	EAA0377G79A	Bracket Cylinders	
15	2	EAK0329G88A	Screws And Bolts With Eccentric	
	1	EAM0051G75A	Sliding Rod Spacer	
	2	EAM0051G74A	Washer 30 x 17 x 0.3	
	1	EAM0043G19A	Eccentric Bushing	
	1	1-54409A	Screw M10 x 50	
16	2	EAK0329G89A	Screws And Bolts For Clamps	
	1	EAM0051G76A	Washer 10 x 30 x 3	
	2	EAM0051G74A	Washer 30 x 17 x 0.3	
	1	EAM0043G19A	Eccentric Bushing	
	1	1-54409A	Screw M10 x 50	
17	1	1-19509A	Screw Tcei 10 x 45 8G	
18	1	EAM0043G49A	Plate, Register -Clamp	
19	1	EAA0351G73A	Clamping Plate	
20	1	EAA0410G31A	Cylinder, Turntable	
21	1	EAK0317G36A	Seal Sp For Round Cylinder	
22	2	EAK0330G35A	Tt Cylinder Fittings Kit	
24	1	EAK0306G27A	Screws And Bolts For Turntable Cyl.	
25	1	EAM0051G85A	Support,Ring	
26	1	1-18677A	Ring- Stop D.60	
27	1	EAK0330G32A	Gt System Fittings Kit	
	2	EAM0051G83A	Pipe for BS Clamp	
	2	1-14379A	Connection L 1/4" 8 x 10	
	2	1-14479A	Rapid Connector	

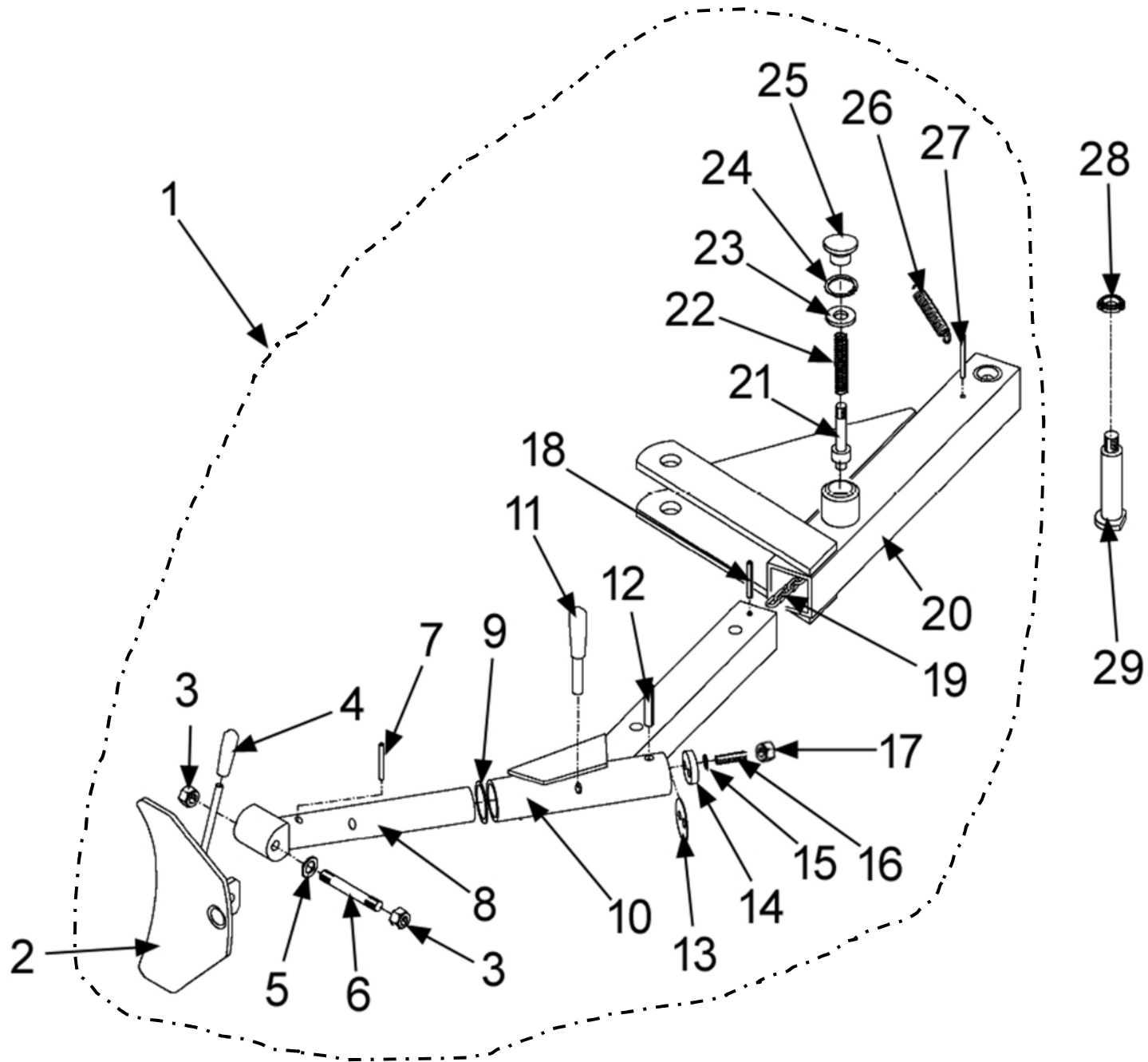
Ref	Qty	Part Number	Description	
30	1	1-25952A	Pin Dowel 5 x 10	
31	1	EAK0306G25A	Turntable Fixing Kit	
32	1	EAA0304G69A	Revolving Manifold, Tubeless Inflator	
33	1	ST4015870	Ring,Outer - Manifold	EAA0338G76A
34	1	ST4013171	Ring-Inside, With Supports	EAA0338G27A
35	1	ST0013161	Seal Or D.69.44 x 3.53	8-10814A
36	1	EAK0330G28A	Revolving Manifold Fittings Kit	
	2	ST0001924	Fitting 4 x 6 1/8"	
	2	ST0019849	Fitting Y 4 x 6 1/8"	
	2	ST0022175	Rapid Connector 1/4"	
39	1	EAK0317G09A	Hoses Kit For Gt Nozzles	
	2	EAM0154G76A	Spring Protection Air hoses	24926
	mr	2618006	Coiled Hose 10 x 6.5	(sold by the meter)
	mr	2618002	Hose 8 x 10 30" long	(sold by the meter)
40	1	EAK0317G08A	Hoses Kit For 24" Turntables	
	mr	5-06435A	Hose Air 4 x 6 27 1/4" long	(sold by the meter)
	mr	5-06435A	Hose Air 4 x 6 21 3/4" long	(sold by the meter)
	mr	5-06435A	Hose Air 4 x 6 13 3/4" long	(sold by the meter)
	mr	5-06435A	Hose Air 4 x 6 12" long	(sold by the meter)
41	2	ST0019653	Front Cylinder Flange, Shaft end	
42	2	ST0019652	Rear Cylinder Flange	
43	2	ST0001368	Straight Fitting 4 x 6 mm 1/8"(Nut & Ferrule)	1-27179A
44	2	1-18879A	Elbow Fitting 4 x 6 mm 1/8" (Nut & Ferrule)	



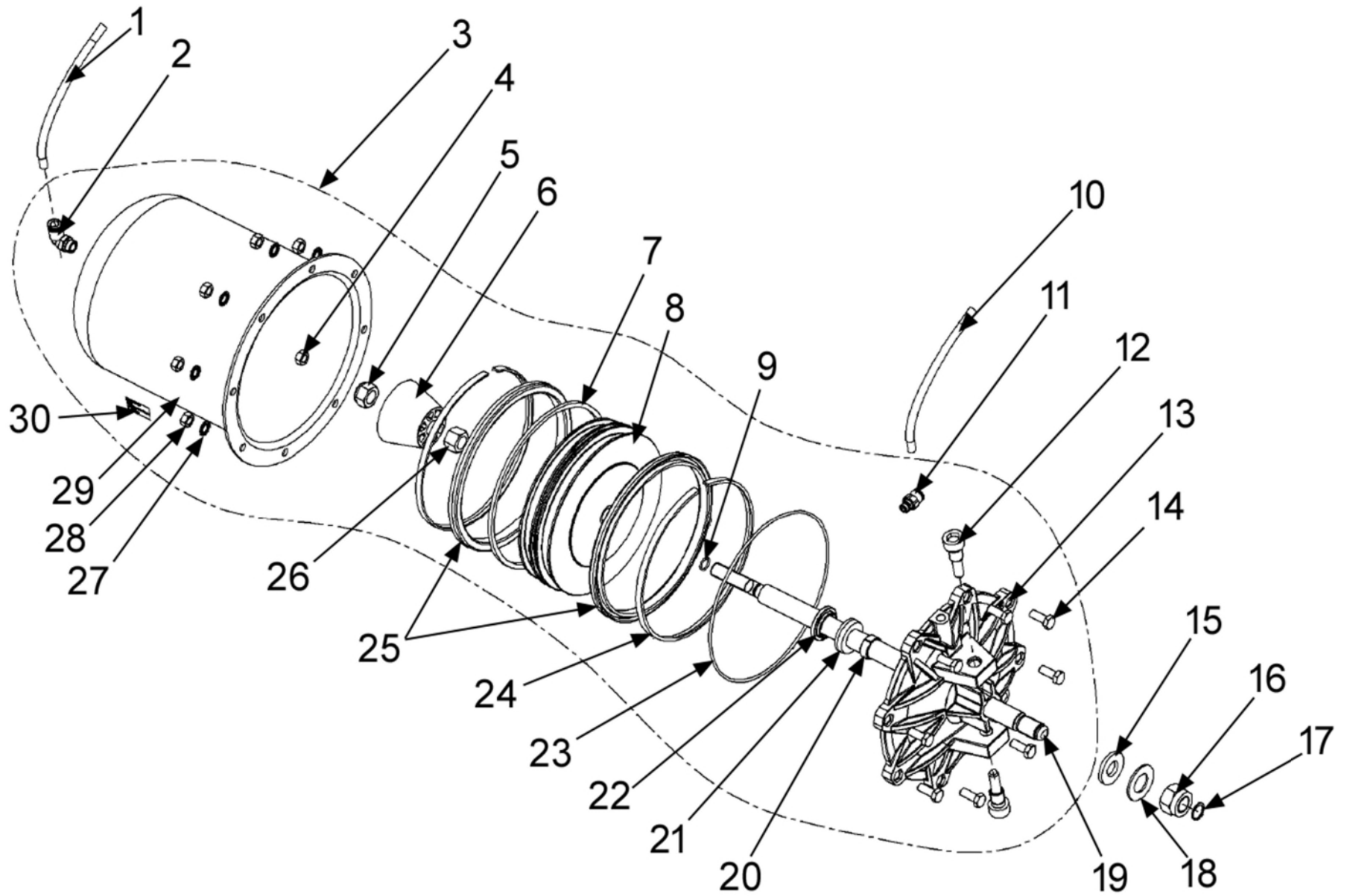
Ref	Qty	Part Number	Description	
1	1	EAK0279G66A	Belt Tightener Kit	
2	1	EAK0279G67A	Antirotaion Kit	
	1	1-50301A	Screw M6 x 10	
	2	1-9841	Washer D6	
	2	EAM0032G93A	Antirotaion Bushing	
	1	1-01637A	Nut M6	
3	1	EAK0341G09A	Reduction Unit Pulley Kit	
	1	EAM0125G94A	Pully Dp130 Alu Cast Machined	
	1	1-03472A	Key 6x6x45	
	1	1-18577A	Ring Snap Shaft D19	
	1	1-24477A	Washer Wave 19mm Id	
4	1	EAA0523G10A	CSA Inverter Box Assy	
5	1	EAA0523G08A	Motor Assy	
6	1	2-97366A	Motor 3Ph 60Hz	
7	1	EAS2131G28A	Motor Support	
8	1	EAM0125G93A	Pulley,1 Groove 60Hz,Machined	
9	1	EAA0523G20A	CSA Pedal Unit - 4P, Remote Potent.	
10	1	EAA0382G23A	Gearbox	EAA0457G27A
11	1	1-1572	Key-10x8x45	
12	1	EAK0306G75A	Screws Kit For Gearbox	
	6	1-10141A1	Washer D10	
	6	13148	Shakeproof Washer D10	
	4	1-15433	Nut M10	
	6	1-50401A	Screw 10 x 160	
13	1	EAA0481G15A	Inverter For Enhanced Potentiometer	
14	1	EAA0524G20A	Inverter Box Cover	
15	1	2-28647A	1 Phase Locking Plug 250V 20A	
16	1	2-14861A	Bipolar Power Switch	
17	1	EAC0099G95A	Belt, A27	
18	1	EAS2239G83A	Sheet, Mh Fixing	
19	1	EAS2100G95A	Pedal-Reverser Protection	
20	1	EAS2239G84A	Spacer For Inverter Box	



Ref	Qty	Part Number	Description
1	3	EAM0068G95A	Standard Pedal - Machined
2	2	EAC0096G11A	Spacer-Pedal
3	1	EAM0075G56A	Spring, Pedal Switch 2Speed
4	1	EAM0048G79A	Bushing, Centering- Spring
5	1	EAA0356G92A	Right Switch Foot Pedal
6	1	EAM0070G46A	Spacer L=11 mm
7	1	EAM0068G10A	Shaft-Hinge, Pedal
8	1	EAM0070G32A	Commutator Spring Guide
9	1	EAM0068G80A	Pedal Asm Support - Machined
10	1	EAM0147G64A	Spring Recall Pedals
11	1	EAA0440G88A	Turntable Pedal Hoses + Valve
	1	EAA0356G94A	Turntable Valve
	1	EAA0440G85A	Hose group
12	1	EAC0099G82A	Spring Fixing Pawl
13	1	EAC0103G56A	Cam For Pedal
14	1	EAS2115G09A	Protection Sheet For Cam
15	1	EAS2111G73A	Rod Positioner Pedal
16	1	EAW0286G08A	Cable For Cts Potentiometer
17	1	EAA0524G08A	Assy, Remote Potentiometer
18	1	EAA0425G42A	Pedal Cable With Potentiometer
19	1	EAC0115G55A	Potentiometer Rod
20	1	EAM0192G58A	Potentiometer Support
21	1	EAS2239G21A	Support For Pedal Unit
22	1	EAS2238G73A	Foot Pedal Connecting Rod
23	1	EAA0523G49A	Support
24	1	EAS2140G74A	End Stroke For Pedal
25	1	EAA0440G87A	Bead Breaker Pedal Hoses + Valve
	1	EAA0356G94A	Bead Breaker Valve
	1	EAA0440G84A	Hose group
26	1	EAA0440G89A	Tilting Tower Hoses + Valve
	1	EAA0356G96A	Tilt Tower Valve
	1	EAA0440G86A	Hose group

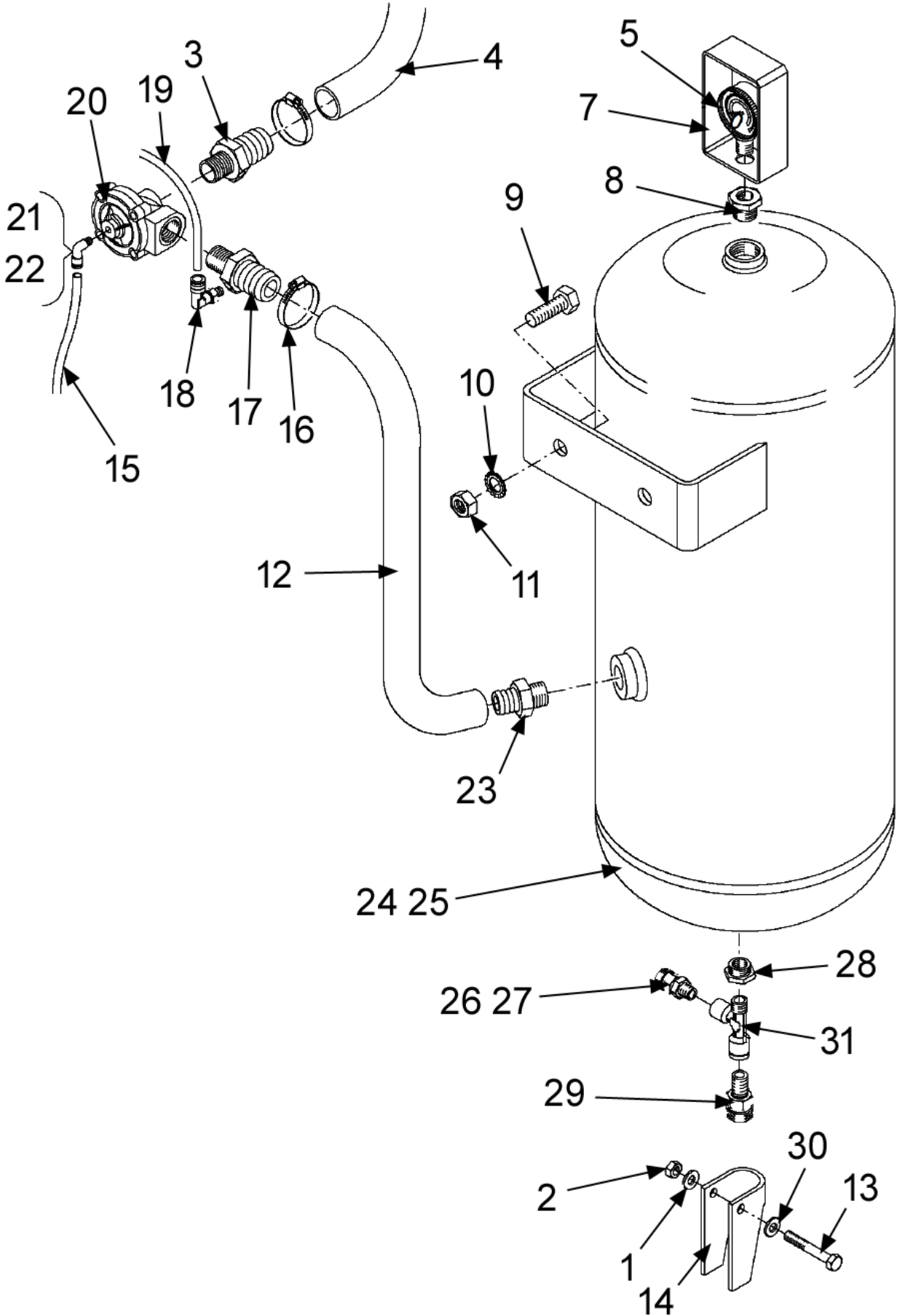


Ref	Qty	Part Number	Description	
1	1	EAA0328G71A	Bead Breaker Arm Assembly	
2	1	ST4022538	Blade, Bead Breaker	EAS2087G92A
3	2	ST7020029	Nut-S.Lock-High- M14 5S	1-26233A
4	1	EAC0078G04A	Handle-Rubber	
5	1	ST7021329	Washer 14mm	1-5246+++
6	1	ST0022545	Screw, Blade	EAM0086G49A
7	1	1-19452A	Pin, Cylin.	
8	1	ST4024672	Support Pallet	EAS2087G52A
9	1	EAM0070G15A	Washer- Adjustment	
10	1	EAS2133G63A	Arm Pallet	
11	1	EAA0328G72A	Pin - Lock	
12	1	ST7023199	Pin-Split 10 x 60	1-26052A
13	1	EAM0087G05A	Ring To Shave	
14	1	ST0024670	Frictioning Washer	EAS2133G06A
15	2	ST7048079	Spring -Washer 10.3 x 22 x 1.25	1-04943A
16	2	1-51110A	Set Screw M10 x 50	
17	2	1-10133	Nut Lock Low M10	
18	1	ST7023019	Pin-Split 6x50	1-23852A
19	1	EAM0067G00A	Stud Chain, Anti-Withdr. L=295+300mm	
20	1	ST4022521	Support- Bead Breaker Arm	EAS2087G79A
21	1	ST0029414	Pin, Paddle Position	EAM0086G47A
22	1	ST0003523	Spring- Handle, Bead	EAM0052G37A
23	1	1-10241A	Washer -Piston D.12	
24	1	ST7022269	Ring-Snap,Holes D.24	1-19177A
25	1	EAM0086G48A	Handgrip	
26	1	EAM0006G06A	Spring	
27	1	EAM0056G92A	Clip 6 x 57.5 Din1481	
28	1	1-02138A	Ring Nut,Metal- Self Lock.	
29	1	EAM0086G16A	Fulcrum-Pin Bead-Breaker	



Ref	Qty	Part Number	Description	
1	mr	5-06335a	Hose - Air 6 x 8 sold by the meter	EAM0069G97A
2	1	1-20179A	Fitting "L" 6 x 8	
3	1	EAA0329G49A	Cylinder, Bead Breaker	
4	1	1-16433A	Nut 1/4" x 0.25"	
5	1	ST7020409	Nut-S.Lock,Low- M14	1-10433
6	1	EAM0048G04A	Limit Switch Rubber Pad	
7	1	ST0010597	Ring- Plastic	EAC0078G35A
8	1	ST0009279	Piston	EAC0094G40A
9	1	8-18314A	Seal-Or D.11	
10		5-06635A	Hose - Air 6 x 8 sold by the meter	EAM0069G97A
11	1	ST0001924	Fitting-St 6 x 8 1/8	1-11379A
12	1	EAM0067G34A	Screw,Fitting- Cylinder B/Break	
13	1	ST0013409	End Cap-Cylinder/Bead Breaker	EAC0078G36A
14	8	1-32601	Screw Te 8 x 20 8.8	
15	1	EAM0075G25A	Washer, Felt	
16	1	1-20933A	Nut	
17	1	1-3977	Retaining Ring For Shafts D16	
18	1	EAM0075G26A	Washer, Black Plastic	
19	1	EAM0048G07A	Rod Bead-Breaker Cylinder	
20	1	ST0024686	Ring For Rod Guide D.20	EAC0078G18A
21	1	ST0001683	Seal, Lip I.D.20 O.D.36 Th.8 On Shaft	8-09614A
22	1	ST0001684	Retainer-Seal D20	EAC0078G10A
23	1	8-10014A	O-Ring I.D.183.82 x 2.62	
24	2	ST0001470	Ring-Piston, Bead Breaker	EAC0078G34A
25	2	ST0001415	Seal - Lip N D.184	8-10114A
26	1	1-20433A1	Nut-Lock M14 6S White Zinc	
27	8	1-1748	Washer Shakeproof D8	
28	8	1-15933A	Nut-Hex M8 - 1.25mm	1-11733
29	1	EAS2068G62A	Cylinder Chamber	
30	1	EAL0383G03A	Plate Cylinder D.E.	
NS	1	EAK0306G19A	Cylinder Seal Kit includes items #9, 15, 18, 20, 21, 22, 23, 24, 25	

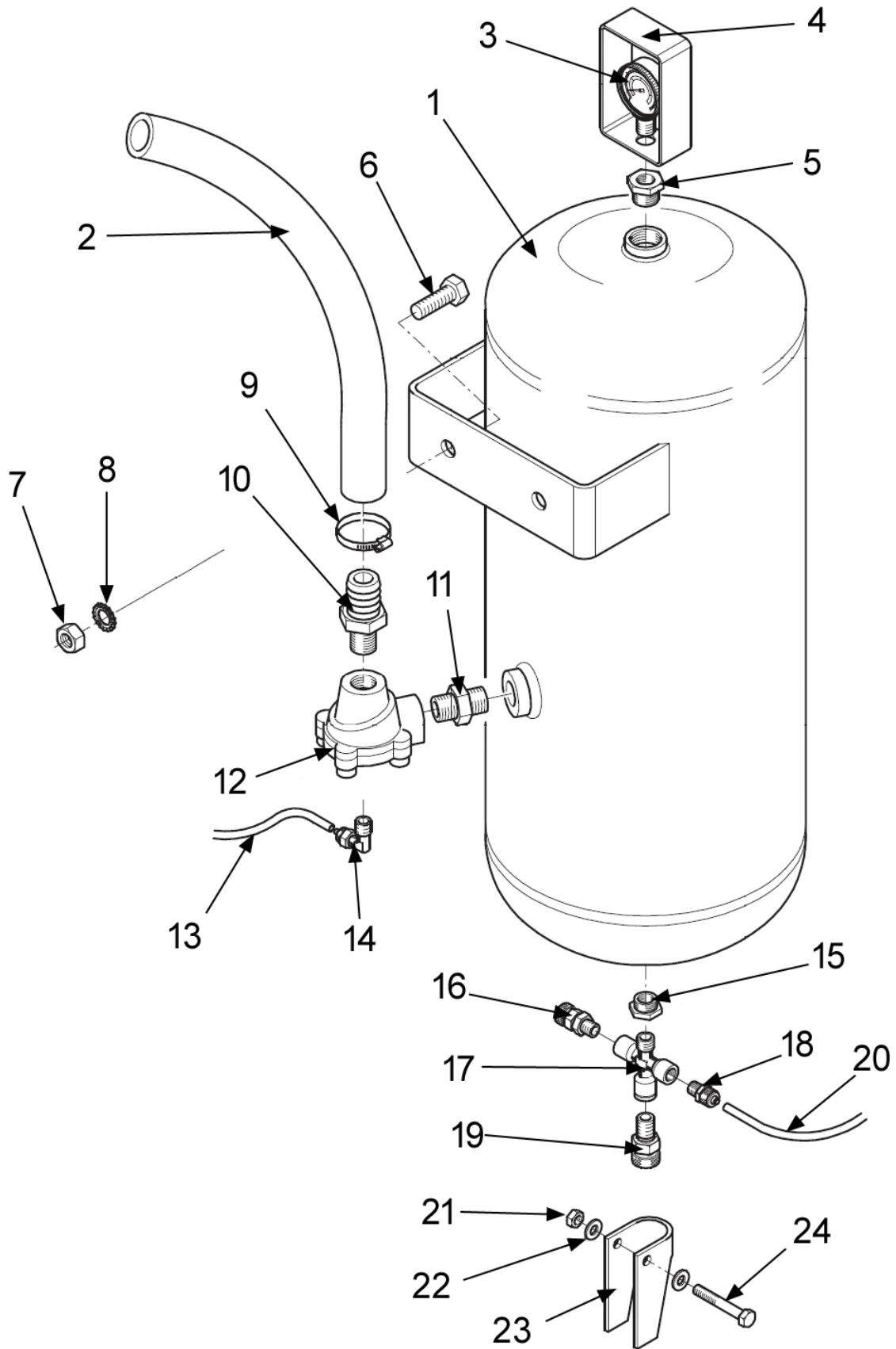
Tank Assembly used up to 02/2024 (86BBTxxx)



Ref	Qty	Part Number	Description	
1	1	1-10041	Washer D.8	
2	1	1-15933A	Nut-Hex M8 - 1.25mm	1-11733A
3	1	EAM0071G99A	Fitting , Support M1"-20	
4	mr	2072705	Hose, Air sold by the meter	14121
5	1	8-06120A	Manometer-Radial 0-16 D.40	
7	1	EAM0074G01A	Protection, Manometer	
8	1	1-16679A	Reduction MF 1/2"-1/8" Cil.	16432
9	1	1-34501A	Screw Te 10 x 30 8G	
10	1	1-1348	Ext.Shakeproof	
11	1	1-15433	Nut M10 Yellow Zincked Din 934	
12	mr	2072705	Hose, Air sold by the meter	EAM0082G64A
13	1	1-39901A	Screw M8 x 50	
14	1	EAM0074G02A	Protection	
15	mr	5-06435A	Hose Air 4 x 6 sold by the meter	
16	4	EAM0075G29A	Clip Locking Hose 25793	
17	1	15658	Fitting -Rub Holder 1" long	
18	1	1-17279A	Elbow fitting 6 x 8 1/8"	
19	mr	5-06435A	Hose Air 4 x 6 sold by the meter	
20	1	1-29581A	Air Operated Solenoid Valve	
21	1	1-17179A	Elbow fitting 4 x 6 1/4"	
22	1	1-15779A	Elbow fitting 4 x 6 1/8"	
23	1	EAM0071G99A	Fitting , Support M1"-20	
24	1	EAS2089G67A	Tank - Inflator	
25	1	EAS2090G17A	Tank - Inflator "Asme"	
26	1	ST0005803	Valve, Press.Release 1/4"	1-29281A
27	1	1-31381A	Valve, Asme Safety, 1/4" Bspt	
28	1	1-16679A	Adapter Mf 1/2-1/4	
29	1	1-29481A	Tap, Condensed Water	
30	1	1-10041	Washer D.8	
31	1	1-19079A	T-Fitting MFF 1/4"	

EAA0364G01A Tank used from 03/2024 (86BCTxxx)

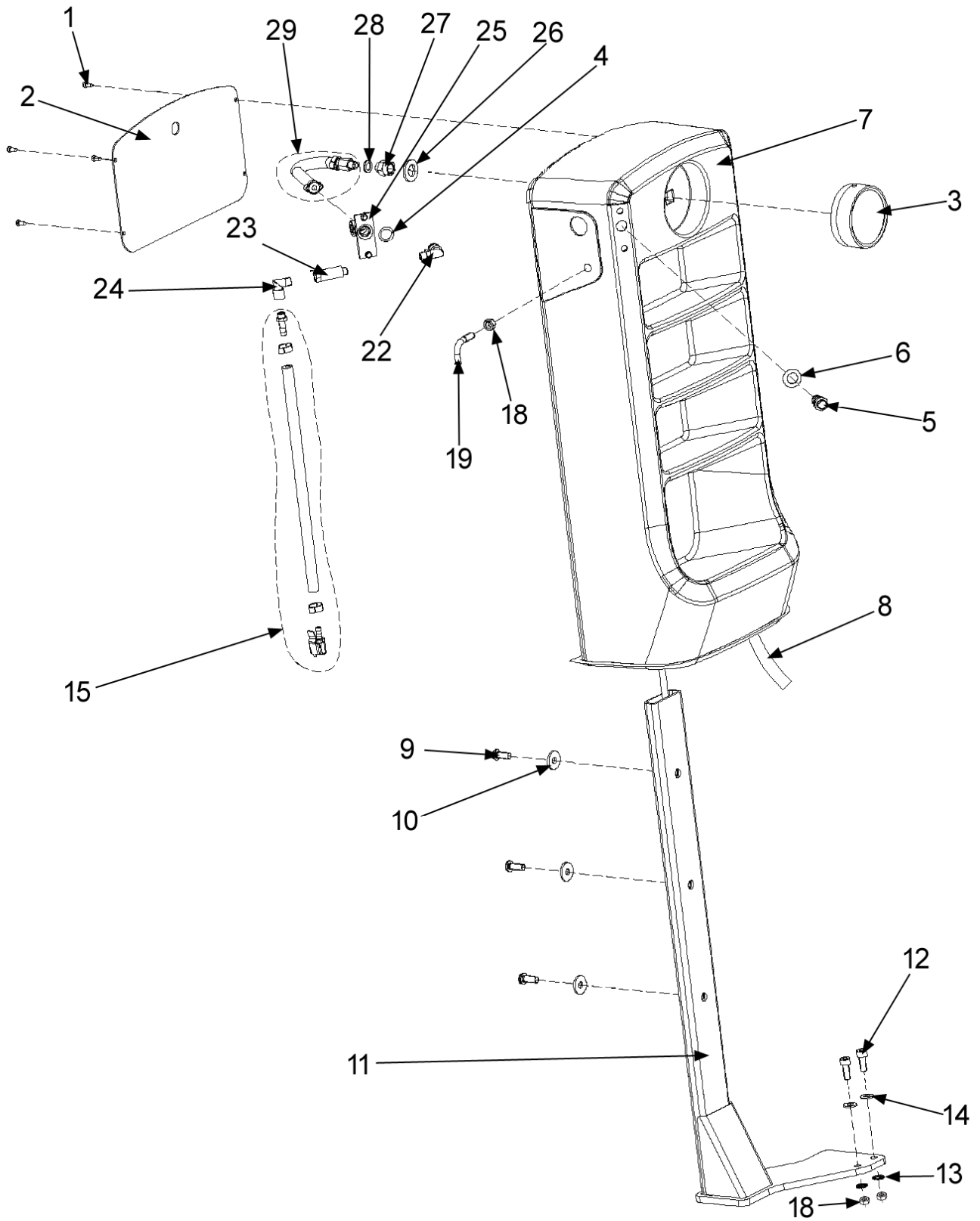
Items 6, 7, 8 not included in Assembly



Ref	Qty	Part Number	Description
1	1	EAS2089G67A	Air Tank, CE/UKCA, Black Painted
2	mr	2072705	Hose, Air sold by the meter
3	1	8-06120A	Manometer D.40
4	1	EAM0074G01A	Protection, Manometer
5	1	1-12579A	Straight, Fitting MF 1/2"-1/8"
6*	2	1-34501A	Screw 10 mm - 1.5 x 30
7*	2	1-15433	Nut M10 x 8 mm
8*	2	13148	Washer M10 Ext Shakeproof
9	1	EAM0075G29A	Clip Locking Hose
10	1	EAM0071G99A	1" Hose Fitting
11	1	1-16579A	Conic 1" Nipple
12	1	1-29581A	1" Valve, Air-Controlled
13	mr	5-06435A	Hose Air 4 x 6 sold by the meter
14	1	1-17179A	Fitting 90Deg 4 x 6mm 1/4"
15	1	1-16679A	Adapter MF 1/2-1/4"
16	1	1-31381A	Valve ASME Safety 1/4" BSPT
17	1	1-16779A	Fitting, Crossed FFFM 1/4"
18	1	1-16879A	Fitting Straight 6 x 8 1/4"
19	1	1-29481A	Tap, Condensed Water
20	mr	5-06335A	Hose, Air 6 x 8 sold by the meter
21	1	1-11733A	Nut M8, Blk
22	1	1-10041	Washer D.8
23	1	EAM0074G02A	Protection
24	1	1-39901A	Screw M8 x 50
* Items not included in EAA0364G01A			

EAA0410G56C

Tool Storage Box With Support



Ref	Qty	Part Number	Description	
1	4	1-20423A	Self Tapping Screw D4.2 x 13	
2	1	EAS2153G75A	Cover, For Box, Black Painted	
3	1	8-06820A	Gauge-Air Psi / Kpa	EAA0332G41A
4	1	8-10414A	Seal-Or D.14	
5	1	EAA0328G57A	Bleeder Valve	
6	1	EAM0043G64A	Washer, Bleeder Valve	
7	1	EAC0114G08A	Tool Storage Box	
8	mr	5-06635A	Hose - Air 6 x 8 sold by the meter	
9	3	1-18702A	Screw M8 x 20	
10	3	1-17841A	Washer D. 8 x 24, Blk	
11	1	EAA0410G29A	Support For Storage Box	
12	2	1-17709	Screw Tcei 8 x 20 8G	
13	2	1-3048	Washer Shakeproof D8 Blk.	
14	2	1-10041	Washer D.8	
15	1	EAA0481G30A	Hose Inflation With Chuck And Fittings	
18	3	1-15933A	Nut-Hex M8 - 1.25mm	1-11733
19	1	EAA0490G75A	Hook For Inflating Gauge	
22	1	1-11479A	Fitting - L 6 x 8 1/8	
23	1	1-11779A	Fitting, Straight, M/F 1/4"	
24	1	1-11979A	Fitting	
25	1	EAC0078G59A	Body Bleeder Valve	
26	1	1-10341	Washer - D.14	
27	1	1-11879A	Coupling Reduct. 1/4-1/8"	
28	1	1-26741A	Washer, Copper	
29	1	ST4029392	Pipe, W. Manometer Damper	EAA0356G06A



Notice: The information contained in this document is subject to change without notice. Hofmann makes no warranty with regard to this material. Hofmann shall not be liable for errors contained herein or for incidental consequential damages in connection with furnishings, performance, or use of this material.

309 Exchange Ave
Conway, AR 72032
501-450-1500

Monty 3550 CSA SmartSpeed Spare Parts List - EEWH786AUB

TEEWH786AUB3_TS

DSS

03/2024